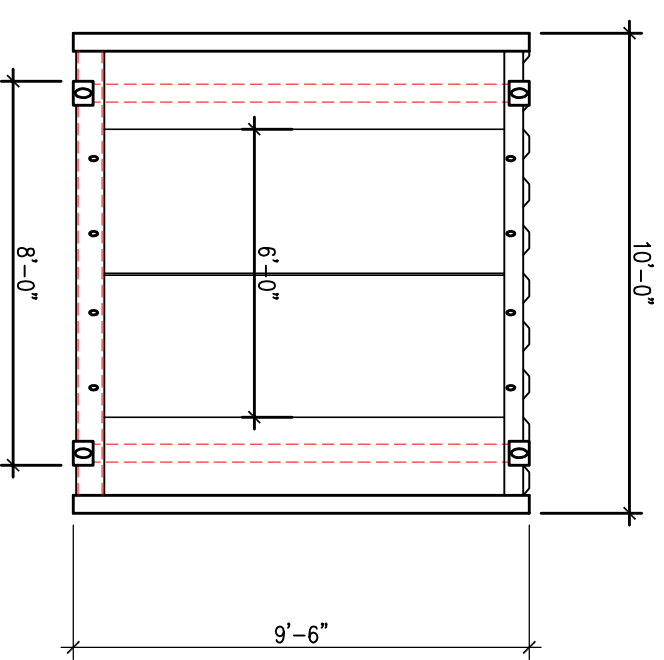


FLOOR PLAN



END VIEW

REV./DATE	DESCRIPTION

NOTE: This drawing, as an instrument of service, is the property of SHELTER INDUSTRIES, INC. and may not be used or reproduced without prior written consent of this office.



TITLE
10' x 20' FIELD OFFICE - PLAN

SCALE
1/4" = 1'-0"

DATE
Jan. 15, 2008

DRAWN
ROB M.

PROJECT No.
P08-????

SHT. No.
A1